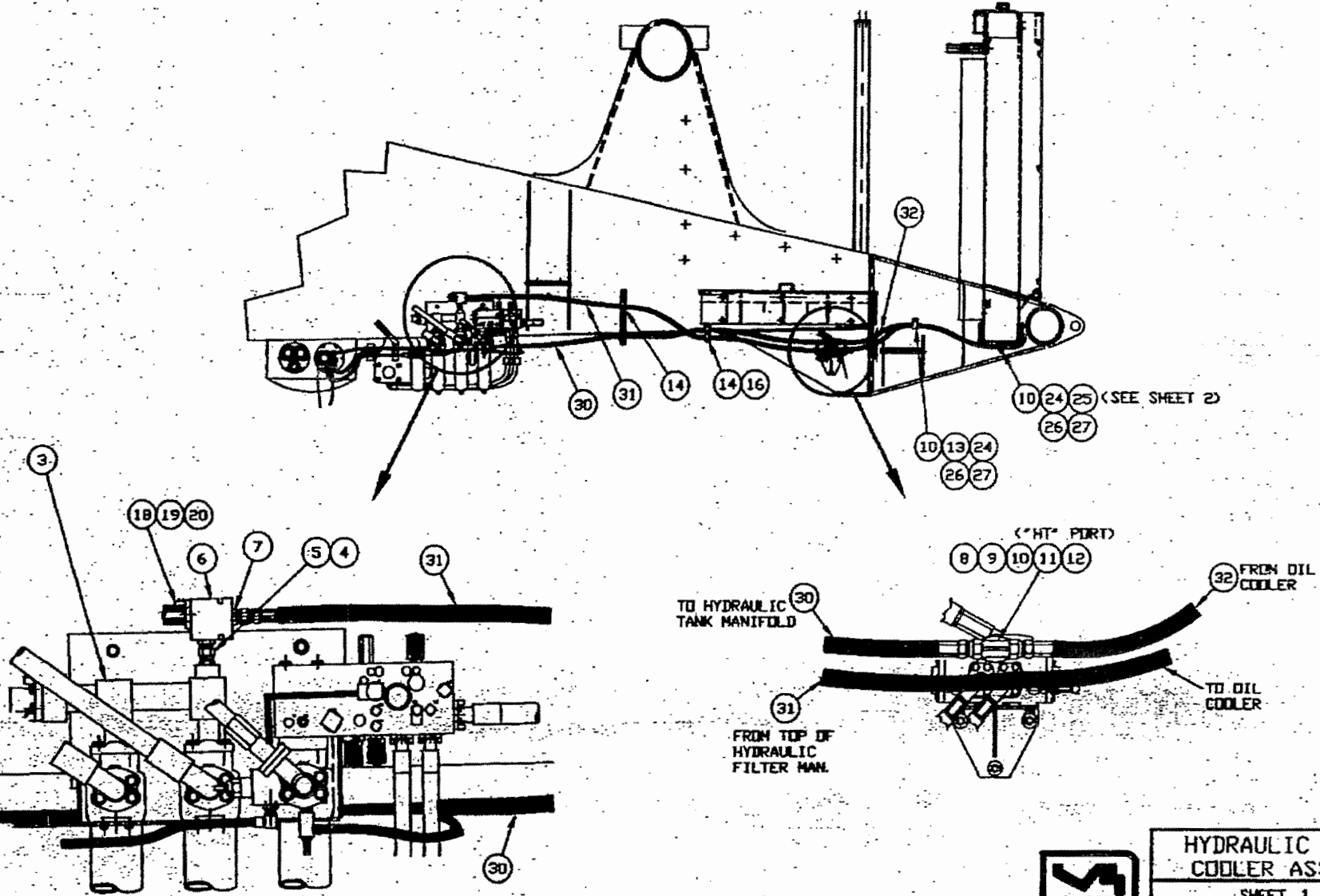


AB5399

THIS DOCUMENT CONTAINS INFORMATION PROPRIETARY TO UNIT RIG, A DIVISION OF TEREX CORPORATION. IT SHALL NOT BE REPRODUCED, USED OR DISCLOSED TO ANYONE WITHOUT PRIOR WRITTEN PERMISSION OF UNIT RIG. COPYRIGHT DATE

Robinson
Nielsen
ELLIS

91918
91546
91387
E.N. NO.



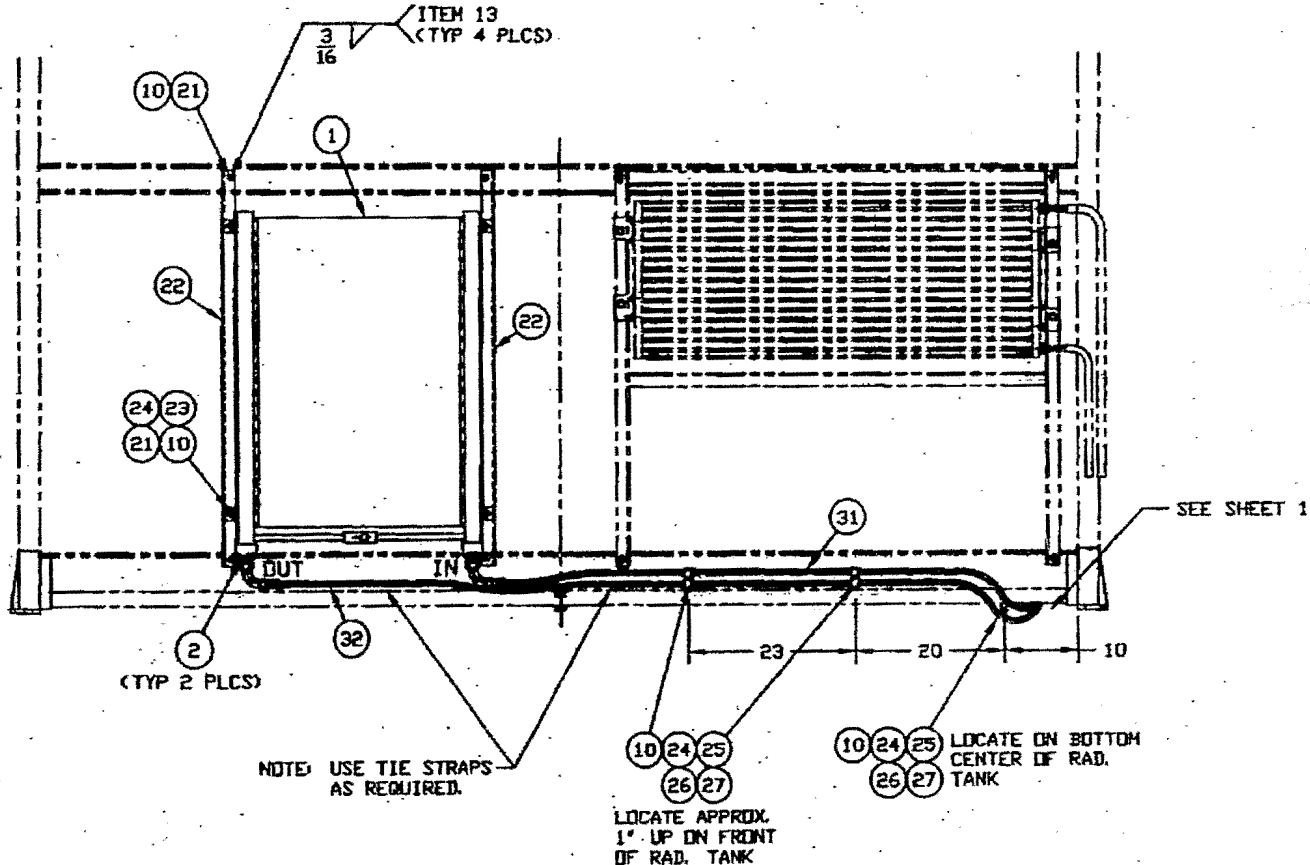
HYDRAULIC OIL COOLER ASSY.

SHEET 1 OF 3

AB5399

A85399

THIS DOCUMENT CONTAINS INFORMATION PROPRIETARY TO UNIT RID, A DIVISION OF TEREX CORPORATION. IT SHALL NOT BE REPRODUCED, USED OR DISCLOSED TO ANYONE WITHOUT PRIOR WRITTEN PERMISSION OF UNIT RID. COPYRIGHT DATE



NOTE: USE TIE STRAPS AS REQUIRED.

LOCATE APPROX. 1" UP ON FRONT OF RAD. TANK

LOCATE ON BOTTOM CENTER OF RAD. TANK

SEE SHEET 1

FRONT VIEW OF RADIATOR

91918

91546

91387

ERL NO.



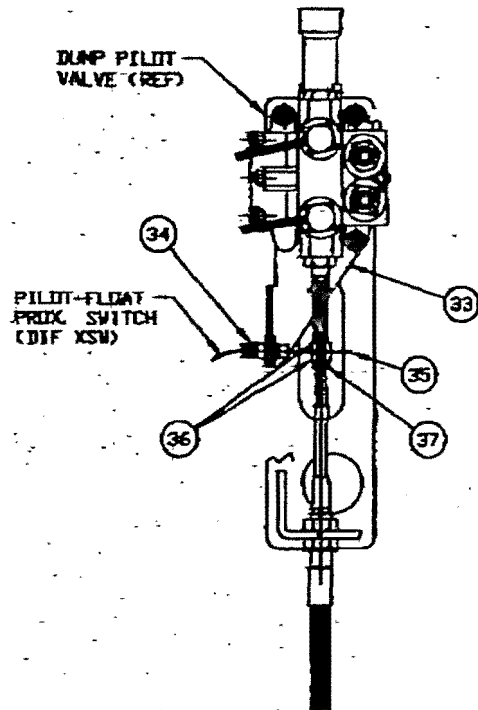
HYDRAULIC OIL COOLER ASSY.

SHEET 2 OF 3

A85399

AB5399

THIS DOCUMENT CONTAINS INFORMATION PROPRIETARY TO
UNIT RIG. A DIVISION OF TRACY CORPORATION. IT SHALL NOT BE
REPRODUCED, UNLESS OR UNLESS TO ANYONE WITHOUT PRIOR
WRITTEN PERMISSION OF UNIT RIG.
COPYRIGHT DATE



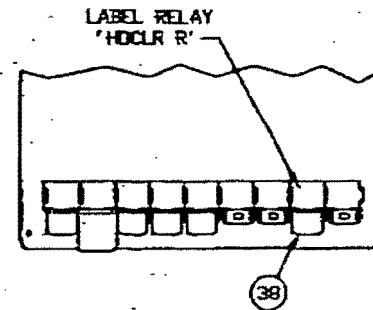
ADJUSTMENT PROCEDURE:

1. ADJUST SWITCH TO 3/32" FROM WASHER.
2. WITH PILOT VALVE IN THE FLOAT POSITION, ADJUST THE TOP OF THE WASHER TO ALIGN WITH THE CENTERLINE OF THE PILOT-FLOAT PROX. SWITCH.
3. IF NECESSARY, SLIGHTLY ADJUST THE HEIGHT OF THE WASHER OR SWITCH DISTANCE TO MEET THE CRITERIA LISTED BELOW.

CRITERIA FOR PROPERLY ADJUSTED SWITCH ASSEMBLY

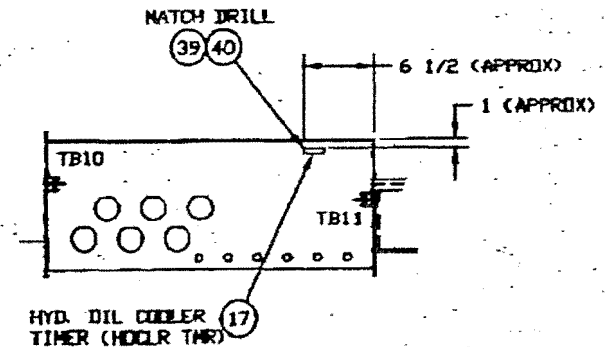
DOWN POSITION	—————	SWITCH LIGHT IS ON
HOLD POSITION	—————	SWITCH LIGHT IS ON
RAISE POSITION	—————	SWITCH LIGHT IS ON
FLOAT POSITION	—————	SWITCH LIGHT IS OFF

91918
91546
91387
E.R. NO.



LOWER RIGHT DASH PANEL

SEE CAB CONFIGURATION FOR EXACT LOCATION



FRONT OF CAB

WIRE PER 'OPTION' SCHEMATIC



HYDRAULIC OIL COOLER ASSY.

SHEET 3 OF 3

AB5399

THIS DOCUMENT CONTAINS INFORMATION PROPRIETARY TO
 A DIVISION OF TEREX CORPORATION. IT SHALL NOT BE
 REPRODUCED, USED OR DISCLOSED TO ANYONE WITHOUT PRIOR
 WRITTEN PERMISSION OF UNIT RIG.
 © COPYRIGHT DATE 3/22/01

A85399A

ITM	QTY	UM	COMPONENT	DESCRIPTION
1	1		56177	COOLER, OIL
2	2		53360-1620	ADAPTER, STRAIGHT #16 ORS, MALE X #20 O-RING, MALE
3	1	R	84487E	MANIFOLD, HYDR FILTERS
4	1		55142	ADAPTER, STRAIGHT #16 JIC, FEM SWIVEL X #16 O-RING, MALE
5	1		986163	ADAPTER, STR, SHORT #16 JIC, MALE X #16 O-RING, MALE
6	1		56178	VALVE, SOL, CARTRIDGE
7	1		53360-1616	ADAPTER-STR #16 ORS, MALE X #16 O-RING, MALE
8	1		24275	FLANGE-ADAPTER #16 SPLIT FLANGE TO #16 SAE O-RING FEMALE
9	1		15202	O-RING 1-5/16 ID X 1-9/16 OD
10	4		10180	WSHR, LK, HELI, 3/8 X .683 OD
10	13		10180	WSHR, LK, HELI, 3/8 X .683 OD
11	4		12478	CAPSCREW, HXSKT, 3/8-16NC X 1-1/2 GR 8
12	1		53365-1616	ADAPTER, TEE BRANCH #16 ORS MALE BRANCH X #16 O-RING BOSS MALE
13	1		950299	PAD, BOLTING 3/8 NC 3/4 OD X 1-1/4 LG
14	6	B	84211J *	CLAMP-SUPPORT ASSY 1.315 ID
15	3		1000546	PLATE, WELD, CLAMP
16	6		25601	CAPSCR, HX, 3/8-16NC X 5-1/2 GR 5
17	1		56206	MODULE, TIMING
18	1		55943	CONNECTOR-1/2NPTF DIN 43650
19	1		55944	GASKET DIN 43650 CONN.
20	1		84693C	GRIP (DWG 84693A-Z) 1/2" STR - PVC PIPE
21	8		10013	CAPSCR, HX, 3/8-16NC X 1-1/4 GR 5
22	2		84978E	BRACKET-OIL COOLER
23	4		17413	NUT-HEX, FLXLC 3/8-16
24	9		10164	WSHR, FL, 3/8 X 1.000 OD
25	3		948634	PAD, BOLTING 3/8 NC 3/4 OD X 3/4 LG
26	10		17143	CLAMP-CUSHION 1-9/16" ID
27	4		10011	CAPSCR, HX, 3/8-16NC X 3/4 GR 5
30	1		84306G-177	HOSE ASSY FC211-16 177" LG W/ FJ9891 & FJ9237 FTGS
31	1		84303G-269	HOSE ASSY FC211-16 269" LG W/ FJ9891 & FJ9893 FTGS
32	1		84303G-165	HOSE ASSY FC211-16 165" LG W/ FJ9891 & FJ9893 FTGS
33	1		84427A	BRACKET-SENSOR
34	1		53963	SWITCH ASSY, PROXIMITY

48552225

TUP
 WFR
 Ellis

91958
 91918
 91546
 91287

*SEE SERVICE PARTS



HYD OIL COOLER ASSY

A85399A SHEET 1 OF 2

A85399A

ITM	QTY	UM	COMPONENT	DESCRIPTION
35	1		55718	WASHER, 1/2 X 2 OD
36	1		55719	NUT-HEX, LOCK, THIN
37	1		16429	NUT HEX 5/16NF
38	1		33898	RELAY, SPDT 24V
39	2		25650	SCREW, MACH, RHD, 6-32NC X 5/8 GR 2
40	2		10122	NUT-HEX (6-32 NC)
50	1	R	A85399	DWG ONLY, OIL COOLER

AMERICAN INDUSTRIAL
OIL COOLER ON MT4400
WITH DDC ENGINE.

THIS DOCUMENT CONTAINS INFORMATION PROPRIETARY TO
THE DIVISION OF TEREX CORPORATION. IT SHALL NOT BE
REPRODUCED OR DISCLOSED TO ANYONE WITHOUT PRIOR
WRITTEN PERMISSION OF UNIT RIG.
© COPYRIGHT DATE

TO
R
71958
71959
91546
91387



HYD OIL COOLER ASSY

A85399A SHEET 2 OF 2

Assembly Inquiry

Item Type M

Last ECN RELEASE

Assembly K-A85399A

Low Level Cd 0

Batch Size

1

U/M EA KIT, HYD OIL COOLER ASSY

Rev Date 9/10/01 Rev Level

<u>Bal</u>	<u>Component</u>	<u>Description</u>	<u>U/M</u>	<u>Qty</u>	<u>Reqd</u>	<u>T</u>	<u>1st Op Code</u>
1	A85399A	HYD OIL COOLER ASSY	EA	1.00		P	
2	84487E	MANIFOLD, HYDR FILTER	EA	1.00		B	
3	84303G-269	HOSE ASSY FC211-16	EA	1.00		B	
4	84303G-165	HOSE ASSY FC211-16	EA	1.00		B	
5	84304G-183	HOSE ASSY FC211-16	EA	1.00		B	
6	A85399	DWG ONLY, OIL COOLER	EA			B	
7	EB1343	OIL COOLER RETROFIT	EA			M	

Bottom

Txt Typ E Asmbl/Comp

F3=Exit

F4=Prompt

F7=Fold

F9=New Inquiry

F14=Active Objects F15=Text Desc.